

12.1" Industrial Panel PC

**PPC-3712A-N26**

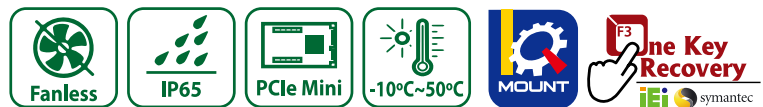
Intel® Atom™ N2600 Dual-Core Processor



**Features**

- 12.1" 500 nits high brightness TFT LCD with LED backlight
- Dual Gigabit Ethernet provides continuous network service and allows sharing among different workgroups in two different subnets
- Optional 802.11b/g/n wireless kit
- One slim type CD-ROM drive bay
- Robust aluminum front bezel and metal casing
- IP 65 compliant front panel

**Specifications**



Model		PPC-3712A-N26
Display	LCD Size	12.1"
	Max. Resolution	1024(W) x 768(H)
	Brightness (cd/m <sup>2</sup> )	500
	Contrast Ratio	700:1
	LCD Color	262K
	Pixel Pitch (mm) (HxV)	0.3075(H) x 0.3075(V)
	Viewing Angle (V/H)	160°/160°
	Backlight MTBF (hrs)	50000 (LED backlight)
Touch	Touchscreen	5-wire resistive type with RS-232 interface
Motherboard	Touch Controller	EETI MBMER4050CMBG
	SBC	NANO-CV-N26001
	CPU	Intel® Atom™ N2600 dual-core processor 1.6GHz
	Chipset	Intel® NM10
	RAM	One 200-pin SO-DIMM socket, supporting DDR3 800MHz module for up to 2GB
	Ethernet	Realtek RTL8111E PCIe GbE controller supporting ASF 2.0
	Audio Codec	Realtek ALC662 HD audio codec
I/O Ports and Switches		2 x RS-232 1 x RS-422/485 2 x RJ-45 for LAN port 2 x USB 3.0 2 x USB 2.0 1 x HDMI 1 x VGA port 1 x Line-in, Line-out, Mic-in 1 x DC power input jack 1 x Power switch
Drive Bay	HDD Drive Bay	1 x 2.5" SATA HDD Bay
	SSD	1 x mSATA (SATA2 signal)
	CD-ROM Drive Bay	Slim type CD ROM bay
Expansion Slot		1 x PCIe Mini card
Physical	Front Panel Construction	Aluminum die-casting
	Chassis Construction	Heavy-duty steel (SECC)
	Mounting	Panel, wall, rack, stand and arm (VESA 100 mm x 100 mm)
	Front Panel Color	Silver (Pantone 8001C)
	Dimensions (WxHxD) (mm)	340 x 260 x 74.8
	Cut Out Dimensions (WxH) (mm)	313 x 233
System Cooling		Net/Gross Weight 6 kg / 8 kg
Environment	Operating Temperature	Fanless
	Storage Temperature	-10°C~50°C
	Vibration	-20°C~60°C
	Shock	5~17Hz, 0.1 double amplitude displacement 17~640Hz 1.5G acceleration peak to peak
Power Supply	Power Input	10G acceleration part to part (11ms)
	Power Adapter	9-28V DC Input P/N: 63040-010060-110-RS 60W power adapter (Meets PSE) Input: 90VAC~264VAC, 50/60Hz Output: 12VDC

## Ordering Information

Part No.	Description
PPC-3712A-N26/R/2G-R12*	12.1" 500 cd/m <sup>2</sup> XGA panel PC with Intel® Atom™ N2600 1.6GHz processor, 2GB DDR3 9 V~28 V DC RAM, and touchscreen, 9 V~28 V DC input, RoHS

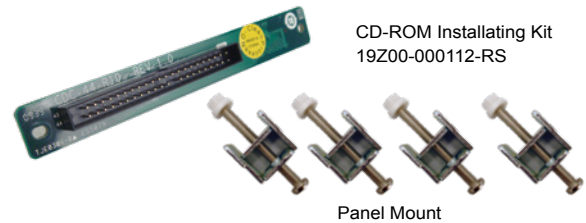
\* PPC supports 9-28V DC input with 4-pin DC jack. Standard product includes 12V DC adapter. For terminal block solution, please contact sales team.

## Packing List

Item	Part No.	Description
Screw Kit	19600-000207-RS	
SATA CD-ROM Cable	32801-006300-100-RS	SATA 7+6P female 180°, SATA 7P female 90°+lock, DU PONT 2x4P, P=2.54, female
Power Cord	32702-000200-100-RS	European standard, 1830 mm, plug (16A, 250V), connector (10A, 250V)
Power Adapter	63040-010060-110-RS	60W, 90VAC~264VAC for PPC-3712A
PS/2 Cable	32006-000300-100-RS	1 x mini-DIN 6-pin male; 2 x mini-DIN 6-pin female
Panel Mounting Kit	19Z00-000024-RS	19Z00-000024-RS x8
Wall Mounting Kit	41014-057602-00-RS	Ultra set plate
	41020-016102-00-RS	Wall mount bracket
IEI One Key Recovery CD	IEI-7B000-000478-RS	
Touchscreen Driver CD / Touch Pen		
User Manual & Driver CD		

## IQ Mounting Options

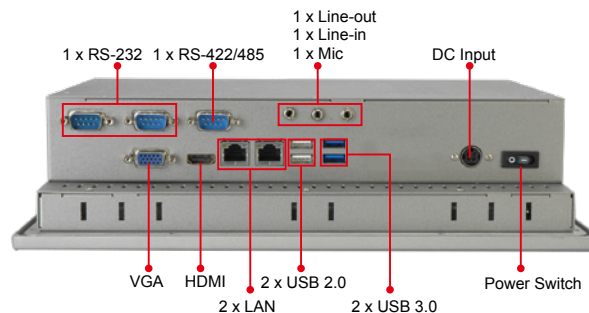
Item	Part No.
Arm	ARM-11-RS
Stand	STAND-100-RS



## Options

Item	Part No.	Description
RS-422/485 Cable	32205-004900-100-RS	(A) D-sub 9-pin male (B) DU PONT 2*7P, P=2.0 female
IDE CD-ROM Installation Kit	19Z00-000112-RS	50-pin CD-ROM connector to 44-pin IDE connector transfer board
HDD IDE Cable	32200-000037-RS	250 mm, IDE 44-pin
Wi-Fi Module	EMB-WIFI-KIT01-R20	1T1R wifi module kit for embedded system, IEEE802.11a/b/g/n/ac WiFi with Bluetooth 4.0/3.0+HS, 1 x wifi module, 2 x 250mm RF cable, 2 x Antenna, RoHS

## Fully Integrated I/O



## PPC-3712A-N26 Dimensions (Unit: mm)

